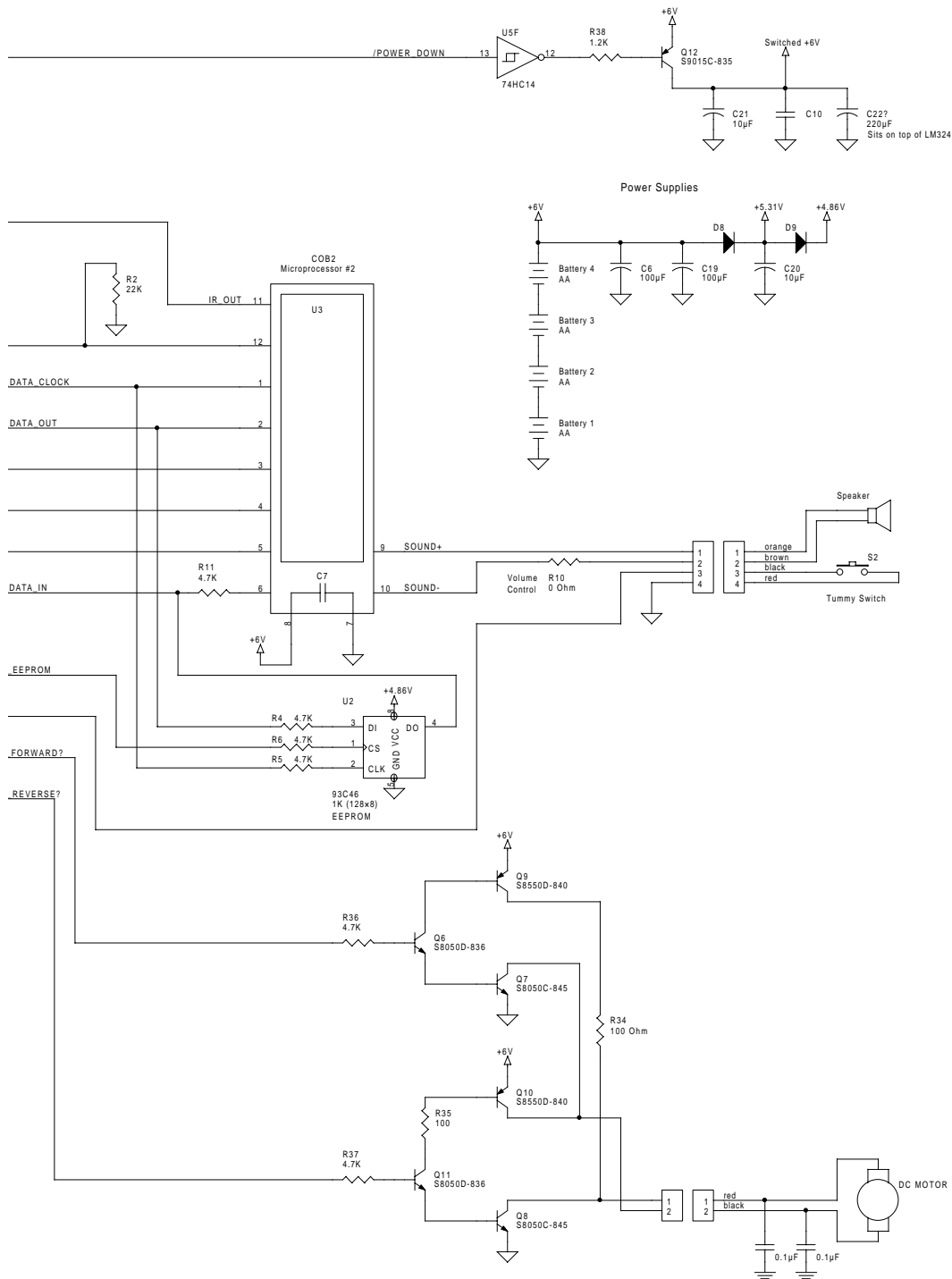


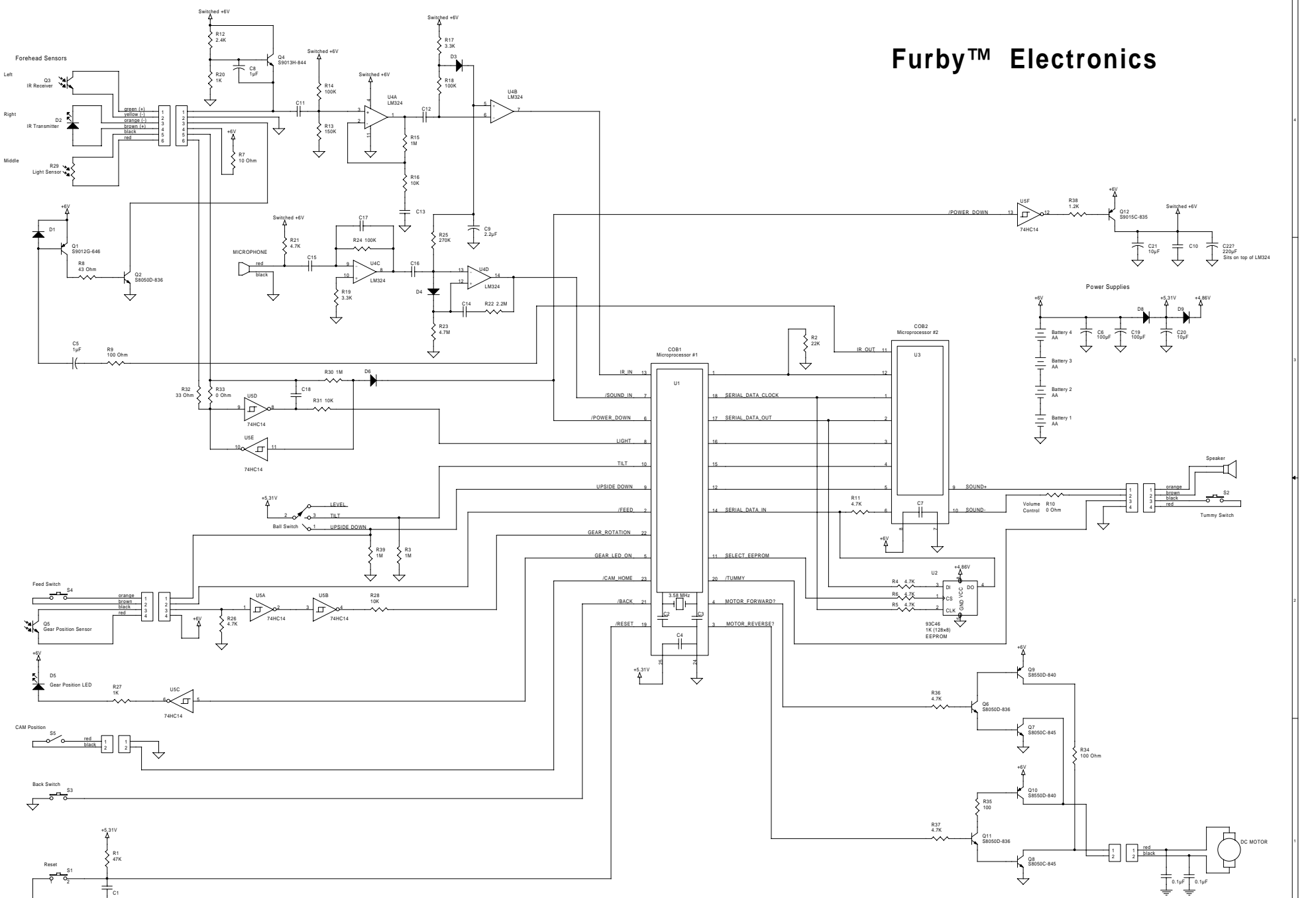
# Furby™ Electronics



This document was created by reverse engineering a real Furby™. It may contain errors — use at your own risk. Not responsible for damage caused to Furby™. Corrections/comments are welcome. Send to [chris\\_furby@yahoo.com](mailto:chris_furby@yahoo.com). This document is in no way associated with or supported by Tiger Electronics, Ltd. Furby is a trademark of Tiger Electronics, Ltd.

Title		
Furby™		
Size	Document Number	Rev
	PCB 415310-01 v1.1	1.1
Date:	Monday, January 25, 1999	Sheet 1 of 1

# Furby™ Electronics



This document was created by reverse engineering a real Furby™. It may contain errors — use at your own risk. Not responsible for damage caused to Furby™. Corrections/comments are welcome. Send to chris.furby@yahoo.com. This document is in no way associated with or supported by Tiger Electronics, Ltd. Furby is a trademark of Tiger Electronics, Ltd.

File:	Furby™	Rev:	1.1
Size:	Document Number PCB 415310-01 v1.1	Sheet:	1 of 1
Date:	Monday, January 25, 1999		